

Wall console incl. 2 screws

Type of construction:

Mounting type:

Material coupling clamp:

Material screw:

Material O-ring:

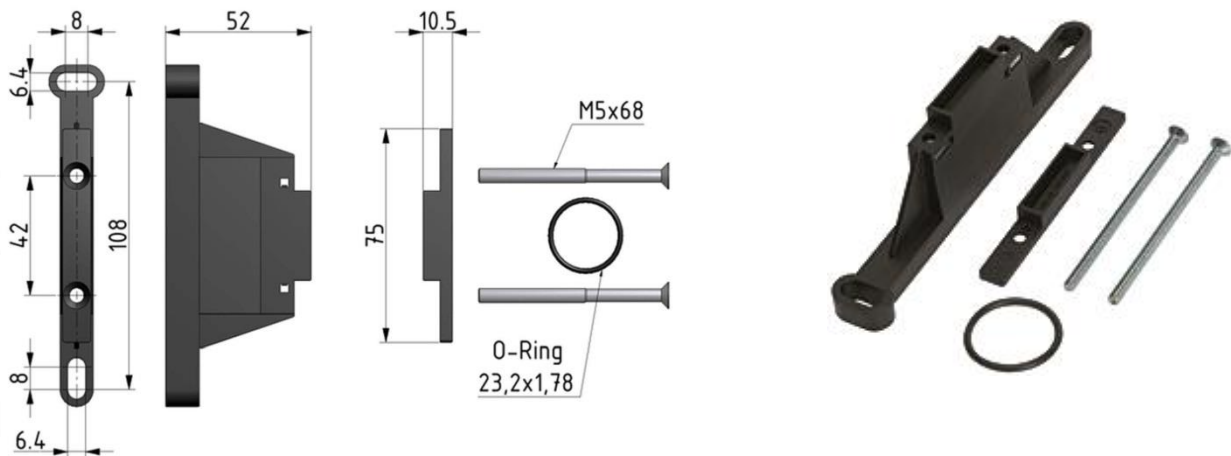
Coupling kit for wall mounting

Interlocking of units of the series »FUTURA« BG2

Grivory (PA66)

Steel

NBR 70



Ident No.	Article No.	Description	Size
WK 102	100044	Wall console incl. 2 screws	2

Wall console with connection thread G 3/8

Type of construction:

Mounting type:

Material coupling clamp:

Material screw:

Material O-ring:

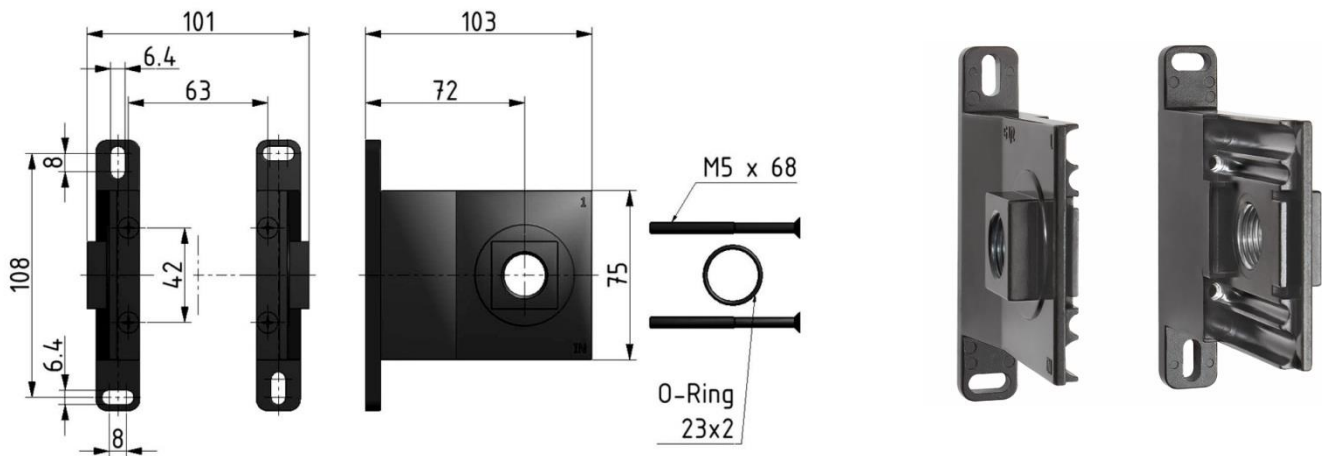
Fastening set wall console

Wall console with thread of the series »FUTURA« BG2

Zinc die-cast

Steel

NBR 70



Ident No.	Article No.	Description	Size
WK 102-38	100331	Wall console with connection thread G 3/8	2

Wall console with connection thread G 1/2

Type of construction:

Fastening set wall console

Mounting type:

Wall console with thread of the series »FUTURA« BG2

Material coupling clamp:

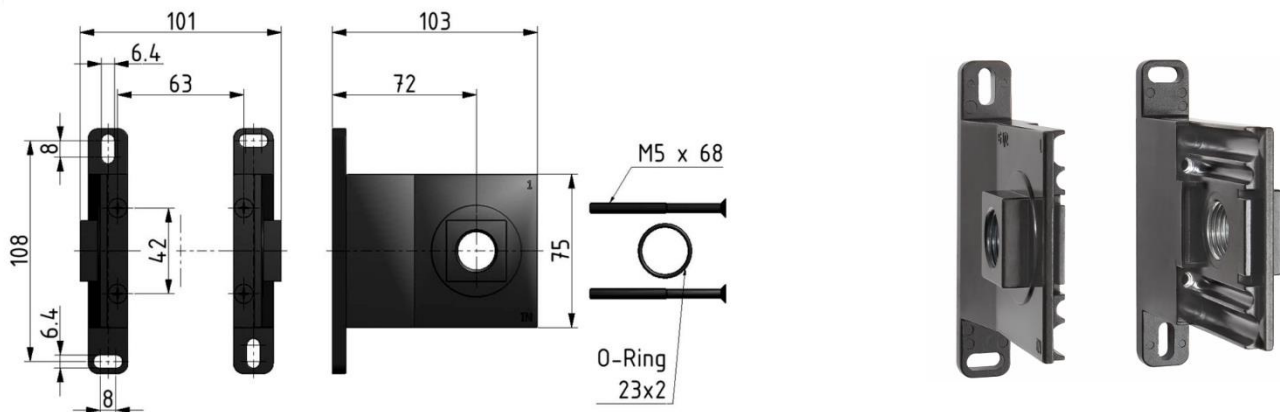
Zinc die-cast

Material screw:

Steel

Material O-ring:

NBR 70



Ident No.	Article No.	Description	Size
WK 102-12	100332	Wall console with connection thread G 1/2	2

Mounting bracket incl. 2 screws

Type of construction:

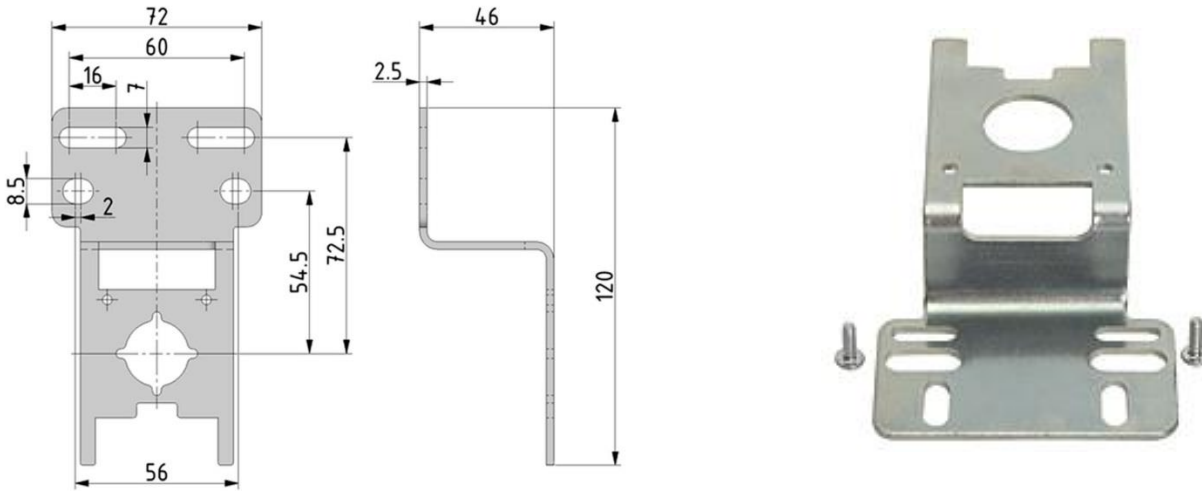
Mounting bracket

Material:

Galvanised steel sheet

Mounting type:

Wall mounting with 2 screws



Ident No.	Article No.	Description	Size
H 852	100043	Mounting bracket incl. 2 screws	2

Blocking set incl. 2 screws

Type of construction:

Mounting type:

Material coupling clamp:

Material screw:

Material O-ring:

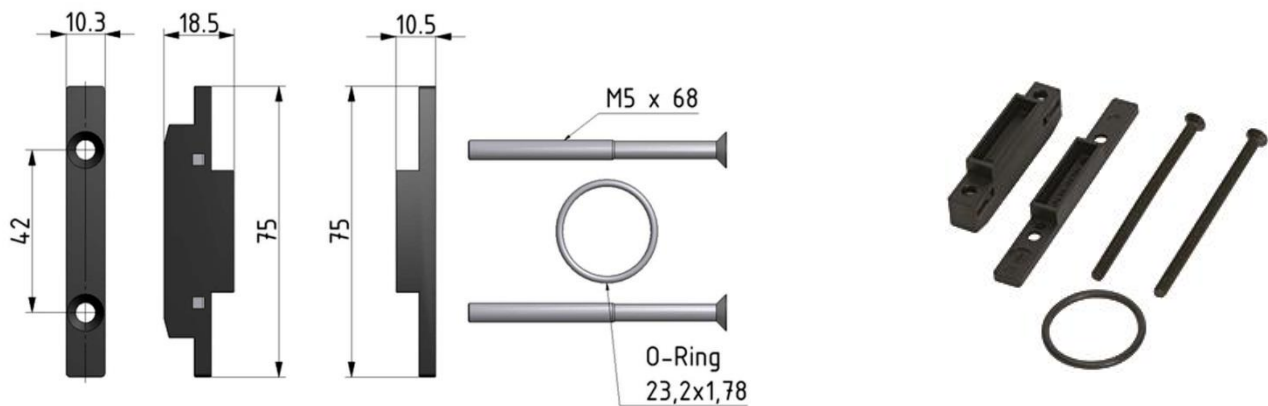
Coupling packet

Interlocking devices of the series »FUTURA« BG2

Grivory (PA66)

Steel

NBR 70



Ident No.	Article No.	Description	Size
KP 200	100045	Blocking set incl. 2 screws	2